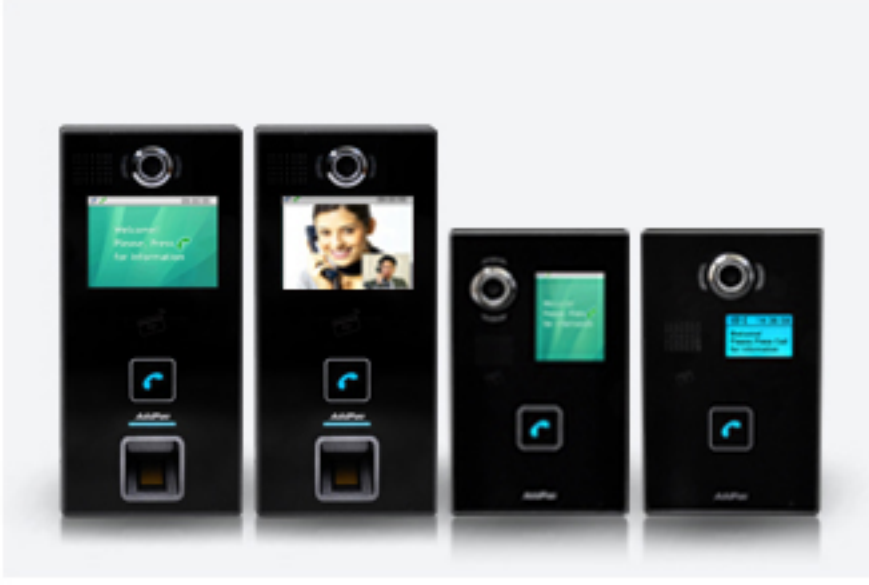


SIP Video Intercom Solution

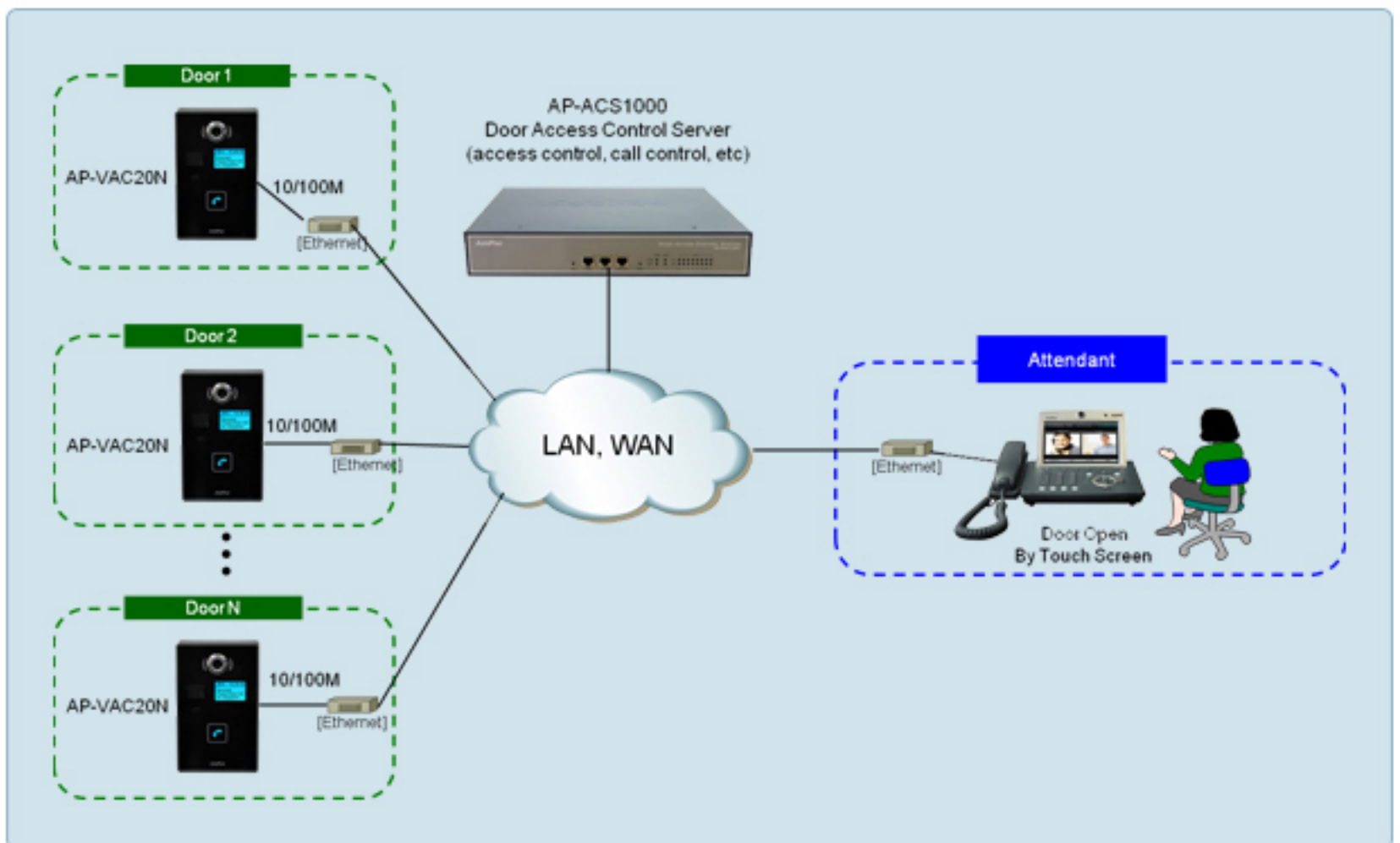


One Touch Call Button IP video intercom solution is to control the visitor access through video screen which can be installed at the entrance with internet connection. One Touch Call Button IP Video door phone (AP-VAC200N, AP-VAC50N, AP-VAC20N) uses SIP standard VoIP signaling protocol to interwork with AddPac video door phone access control server (AP-ACS1000, IP-PBX + Door Control Server), SIP video phone, and SIP soft phone to provide an excellent scalability. Also, it supports the latest audio/video codec at optimum level. SIP video door phone selection is to accept the VoIP standard signal and convenience. AP-ACS1000 Door Access Control System offers the enterprise level IP video access control solution.

One Touch Call Button SIP Video Intercom Comparison Table

Model	AP-VAC200N	AP-VAC50N	AP-VAC20N
Service Features			
Duplex (Voice)	Full Duplex	Full Duplex	Full Duplex
Key Pad	One(1) Call Button	One(1) Call Button	One(1) Call Button
LCD	3.5inch LCD	2inch LCD	Graphic LCD
RF Card	Support	Support	Support
Fingerprint	Support	N/A	N/A
Camera Sensor	SD(VGA)	SD(VGA)	SD(VGA)
Video Codec	SD, H.264/MPEG4	SD, H.264/MPEG4	SD, H.264/MPEG4
Voice Codec	G.711	G.711	G.711
Signaling	H.323/SIP	H.323/SIP	H.323/SIP
MIC & Speaker Phone	Support	Support	Support
LAN Port	1	1	1
PoE (Option)	Support	Support	Support

Network Diagram



Youtube



One Touch Call Button SIP Video Door Phone Solution



SIP Video Door Phone Solution (AP-VAC200N/AP-VAC50N/AP-VAC20N)

AddPac Technology Co.,Ltd.

AddPac Technology (Korea-Head Office)

Phone +8225683848

Email sales@addpac.com